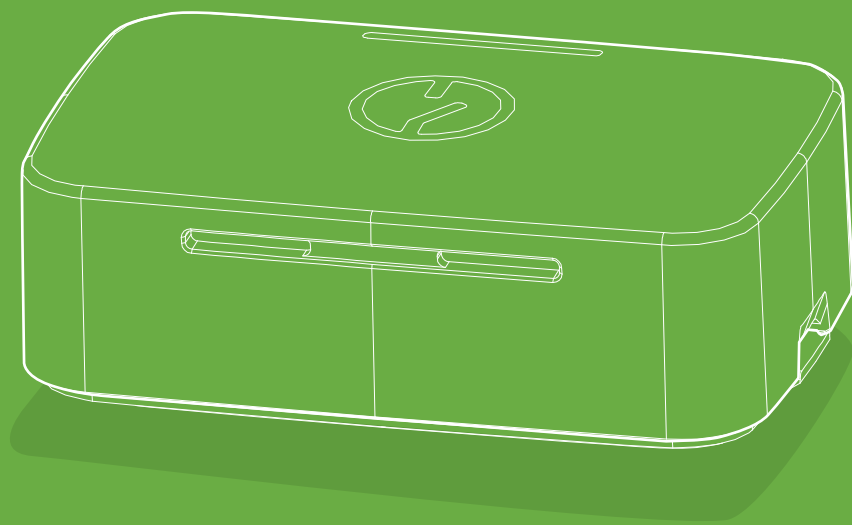


# Meet the SmartSense™ Open/Closed

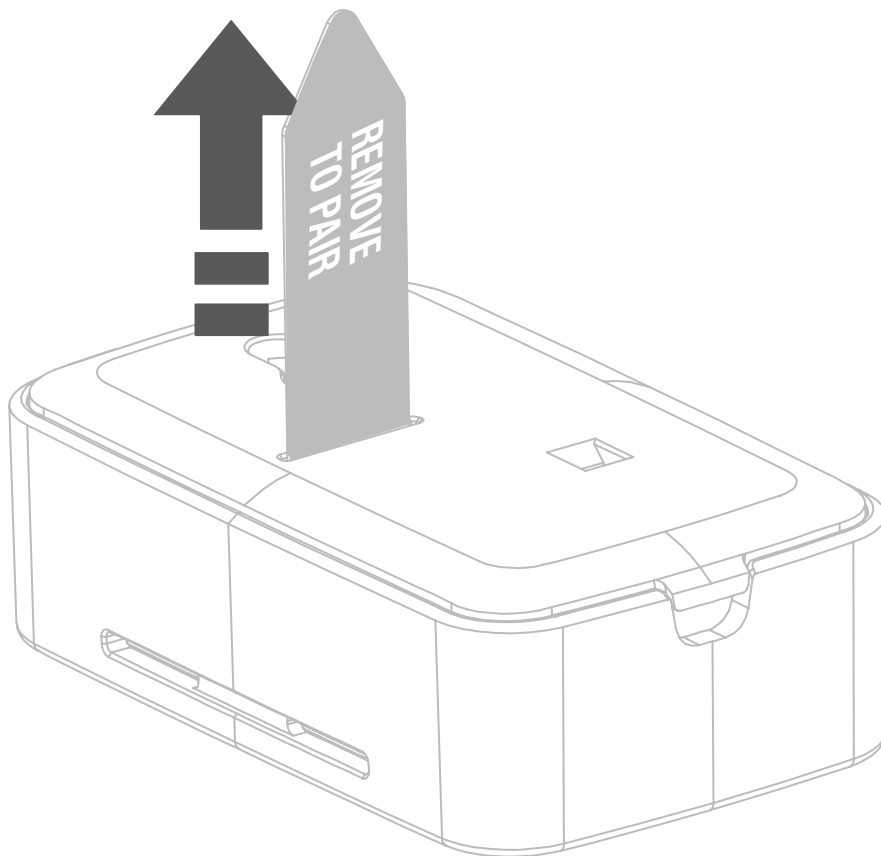
The SmartSense™ Open/Closed sensor lets you know when doors, windows, cabinets, or drawers open and close. Set it to tell you when people come and go, if doors or windows open unexpectedly, or if valuable or off-limit areas are accessed.



# How to Connect a SmartSense Open/Closed

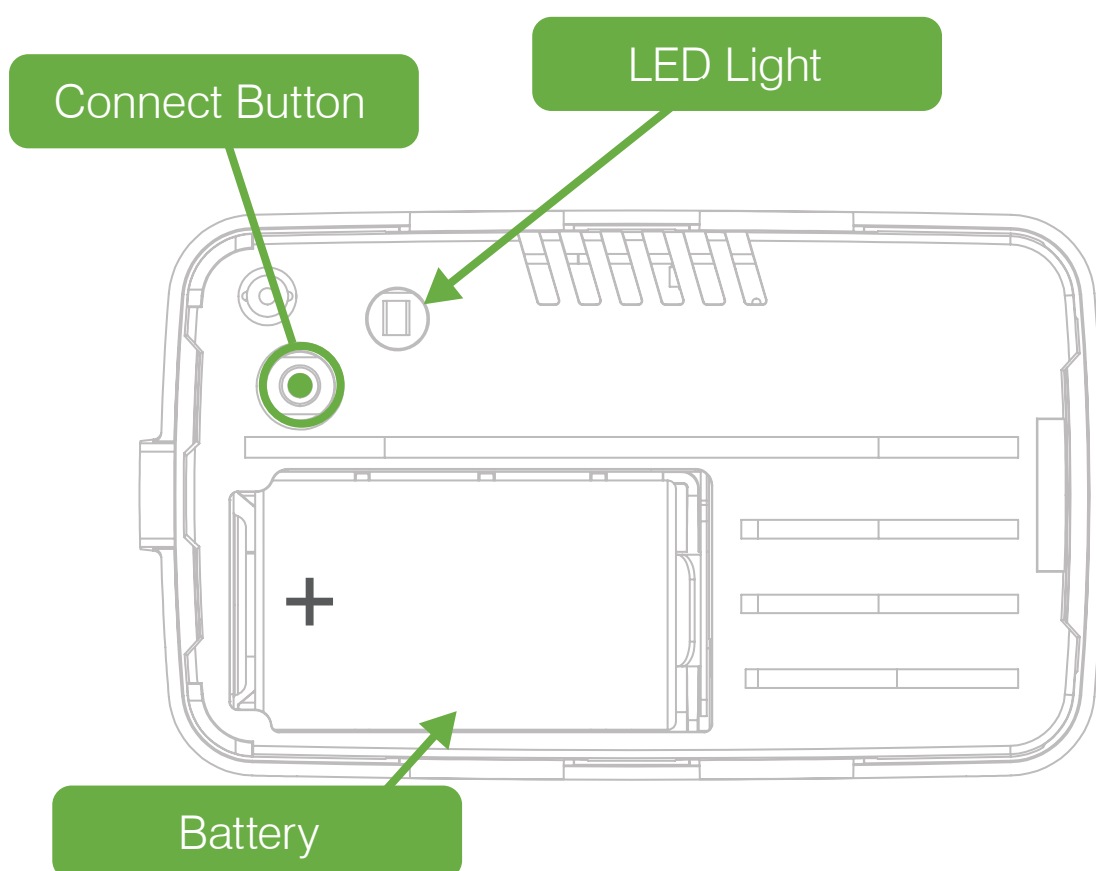
You can connect devices at any time by following these two steps:

- 1 Tap '+' in the SmartThings mobile app to add things.
- 2 Follow the on-screen prompts to connect your device and set up top alerts and/or actions.

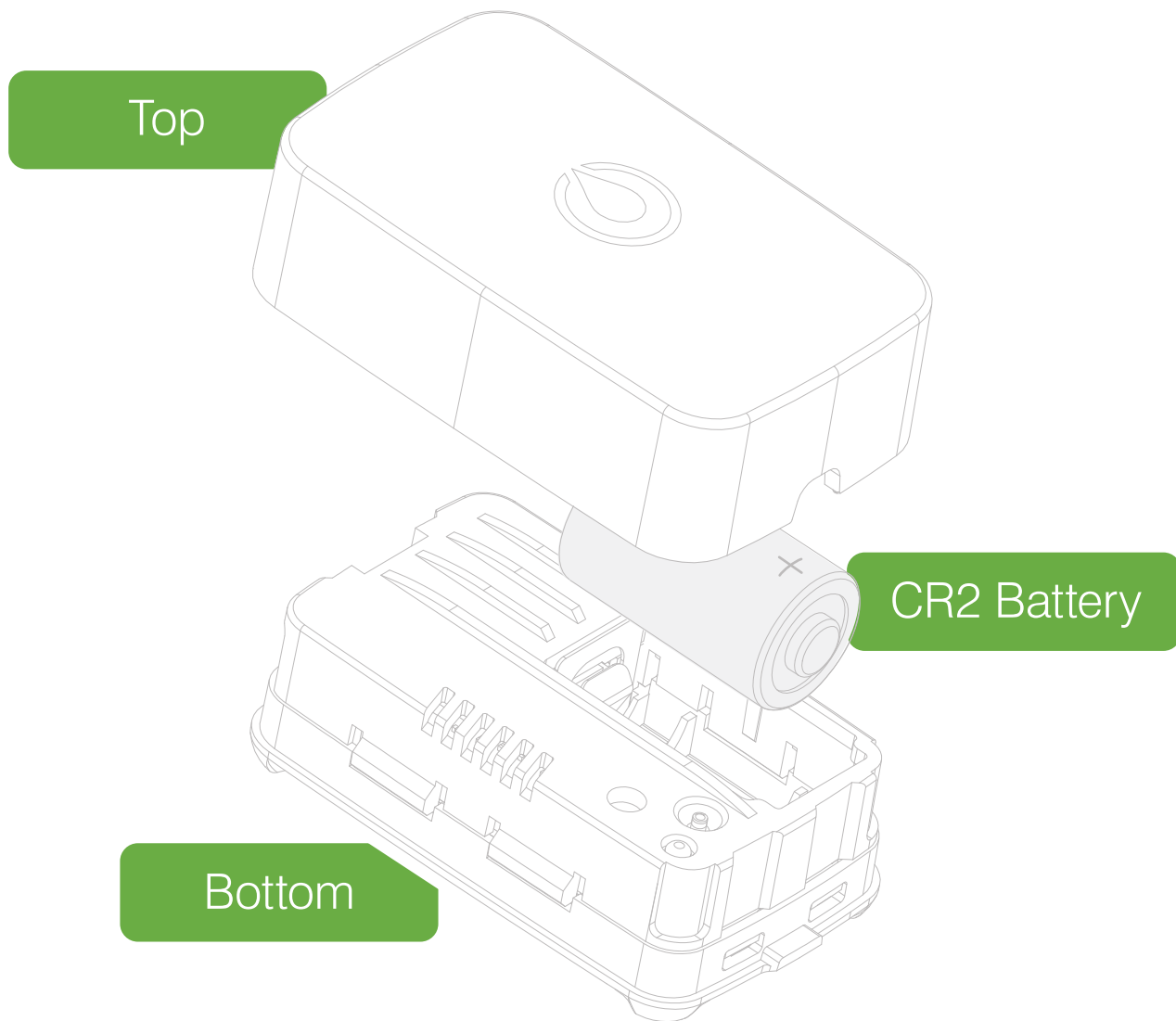


# How to Reset and Reconnect a SmartSense Open/Closed

To reset, press and hold the Connect button while inserting the battery. Release the button when the LED is lit. The LED will blink blue while attempting to connect. See How to Connect for more.



# Replacing Battery (CR2)



**CAUTION: RISK OF EXPLOSION IF BATTERY IS REPLACED BY AN INCORRECT TYPE. DISPOSE OF USED BATTERIES ACCORDING TO THE INSTRUCTIONS.**

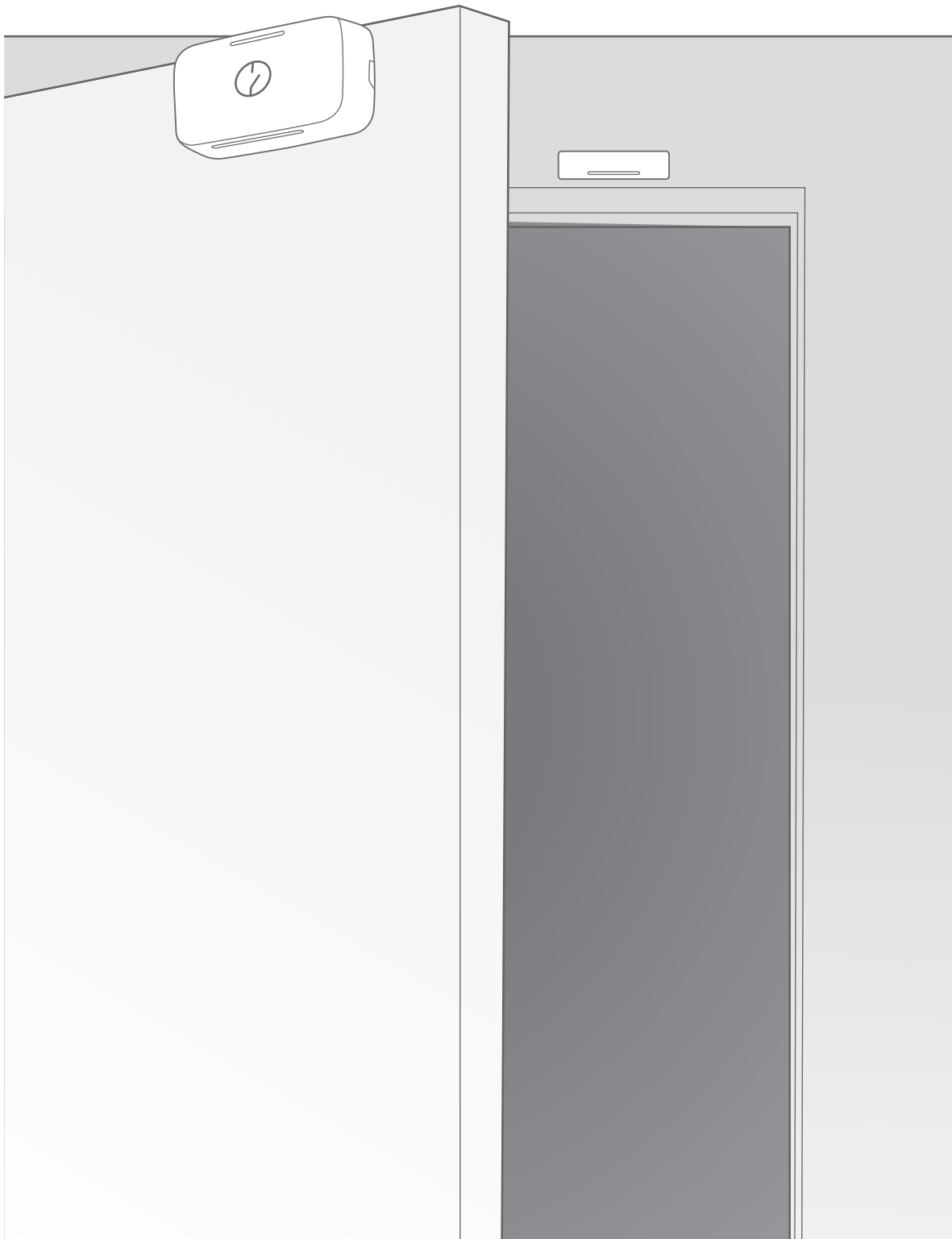
**ATTENTION. RISQUE D'EXPLOSION SI LA BATTERIE EST REMPLACÉE PAR UN MODÈLE INCORRECT. JETEZ LES BATTERIES USAGÉES SELON LES INSTRUCTIONS S'Y RÉFÉRANT.**

**WARNING: No user-serviceable parts inside. Refer all servicing to qualified service personnel.**

**ATTENTION: l'équipement SmartThings ne doit être en aucun cas ouvert par l'utilisateur lui-même. Pour l'entretien et/ou la maintenance, contacter le personnel qualifié.**



# Example Mounting Configuration for SmartSense™ Open/Closed





## Safety Instructions

- Read, keep, and follow these instructions.
- Heed all warnings.
- Clean only with a dry cloth.
- Do not install near any heat sources such as radiators, heat registers, stoves or other apparatus (including amplifiers) that produce heat.
- Only use attachments and accessories specified by the manufacturer.
- Read our Product Usage Guidelines at: <http://SmartThings.com/guidelines>

## Règles de sécurité:

- Lire, conserver et suivre ces instructions
- Respecter toutes les consignes de sécurité
- Nettoyer l'appareil uniquement avec un chiffon sec
- Ne pas installer a proximité d'une source de chaleur telle que radiateur, poêle ou autres appareils (incluant les amplificateurs) qui produisent de la chaleur
- Utiliser uniquement des accessoires recommandés par le fabricant

# Certifications

SmartSense™ Open/Closed  
Contains FCC ID: W7Z-ZICM357SP2  
Conforms to FCC Part 15B

## FCC Statement

Operation of this device is subject to the following two conditions: (1) this device may not cause interference, and (2) this device must accept any interference, including interference that may cause undesired operation of the device.

 Tested to Comply With FCC Standards  
FOR HOME OR OFFICE USE



## Information to the User

Changes or modifications not expressly approved by Physical Graph Corporation could void your authority to operate the equipment.

This equipment has been tested and found to comply with the limits for a Class B digital device, pursuant to Part 15 of the FCC Rules. These limits are designed to provide reasonable protection against harmful interference in a residential installation. This equipment generates and can radiate radio frequency energy and, if not installed and used in accordance with the instructions, may cause harmful interference to radio communications. However, there is no guarantee that interference will not occur in a particular installation. If this equipment does cause harmful interference to radio or television reception, which can be determined by turning the equipment off and on, the user is encouraged to try to correct the interference by one or more of the following measures:

- Reorient or relocate the receiving antenna.
- Increase the separation between equipment and the receiver.
- Connect the equipment to an outlet on a circuit different from that to which the receiver is connected.
- Consult the dealer or an experienced radio/TV technician for help.

## **One (1) Year Limited Warranty**

Physical Graph Corporation (“SmartThings”) warrants this product (the “Product”) against defects in materials and/or workmanship under normal use for a period of ONE (1) YEAR from the date of purchase by the original purchaser (“Warranty Period”). If a defect arises and a valid claim is received within the Warranty Period, then as your sole remedy (and SmartThings’ sole liability), SmartThings will at its option either 1) repair the defect at no charge, using new or refurbished replacement parts, or 2) replace the Product with a new product that is functionally equivalent to the original, in each case within 30 days following receipt of the returned Product. A replacement product or part, assumes the remaining warranty of the original Product. When a Product or part is exchanged, any replacement item becomes your property and the replaced Product or part becomes SmartThings’ property.

**Obtaining Service:** To obtain warranty service, visit [support.smartthings.com](http://support.smartthings.com) to speak with a service agent or open a service request. Please be prepared to describe the Product that needs service and the nature of the problem. A purchase receipt is required. The Product must be insured, and shipped freight prepaid and securely packaged. You must contact support for a Return Material Authorization Number (“RMA Number”) before shipping any Product, and include the RMA Number, a copy of your purchase receipt and a description of the problem you are experiencing with the Product. Any claim under this Limited Warranty must be submitted to SmartThings before the end of the Warranty Period.

**Exclusions:** This warranty does not apply to: a) damage caused by failure to follow instructions relating to the Product’s use or the installation of components; b) damage caused by accident, abuse, misuse, transport, neglect, fire, floods, earthquake or other external causes; c) damage caused by service performed by anyone who is not an authorized representative of SmartThings; d) accessories used in conjunction with a covered Product; e) a Product or part that has been modified to alter functionality or capability; f) items intended to be periodically replaced by the purchaser during the normal life of the Product, including, without limitation, batteries, bulbs or cables; g) a Product that is used commercially or for a commercial purpose, in each case as determined by SmartThings.

EXCEPT FOR BODILY INJURY, SMARTTHINGS SHALL NOT BE LIABLE FOR (I) ANY LOST PROFITS, COST OF PROCUREMENT OF SUBSTITUTE PRODUCTS, OR ANY INCIDENTAL OR CONSEQUENTIAL DAMAGES, OR (II) ANY AMOUNTS IN EXCESS OF THE PURCHASE PRICE FOR THE PRODUCT, IN EACH CASE WHETHER RESULTING FROM THE USE OF OR INABILITY TO USE THIS PRODUCT, OR ARISING OUT OF ANY BREACH OF THIS WARRANTY, EVEN IF COMPANY HAS BEEN ADVISED OF THE POSSIBILITY OF SUCH DAMAGES. SOME STATES DO NOT ALLOW THE EXCLUSION OR LIMITATION OF INCIDENTAL OR CONSEQUENTIAL DAMAGES, SO THE ABOVE LIMITATION AND EXCLUSIONS MAY NOT APPLY TO YOU.

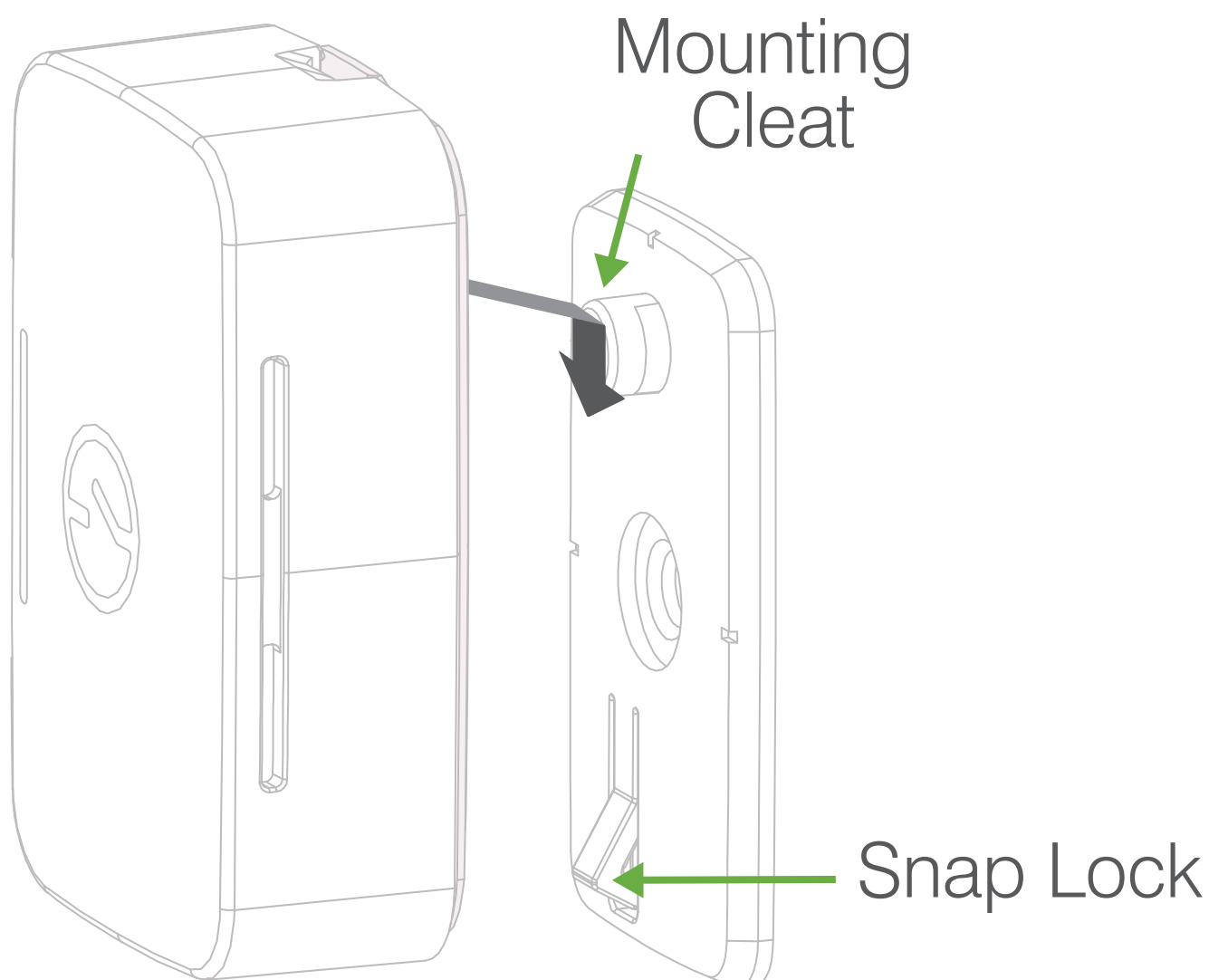
TO THE EXTENT PERMITTED BY APPLICABLE LAW, SMARTTHINGS DISCLAIMS ANY AND ALL STATUTORY OR IMPLIED WARRANTIES, INCLUDING WITHOUT LIMITATION, WARRANTIES OF MERCHANTABILITY, FITNESS FOR A PARTICULAR PURPOSE AND WARRANTIES AGAINST HIDDEN OR LATENT DEFECTS. IF SMARTTHINGS CANNOT LAWFULLY DISCLAIM STATUTORY OR IMPLIED WARRANTIES, THEN TO THE EXTENT PERMITTED BY LAW, ALL SUCH WARRANTIES SHALL BE LIMITED IN DURATION TO THE WARRANTY PERIOD. SOME STATES DO NOT ALLOW LIMITATIONS ON HOW LONG AN IMPLIED WARRANTY LASTS, SO THE ABOVE LIMITATIONS MAY NOT APPLY TO YOU.

This warranty gives you specific legal rights and you may also have other rights, which vary from state to state. To exercise your rights under this warranty, please follow the instructions above under the heading “Obtaining Service”, or contact SmartThings at Physical Graph Corporation, 1000 Potomac St NW #120, Washington, DC 20007.

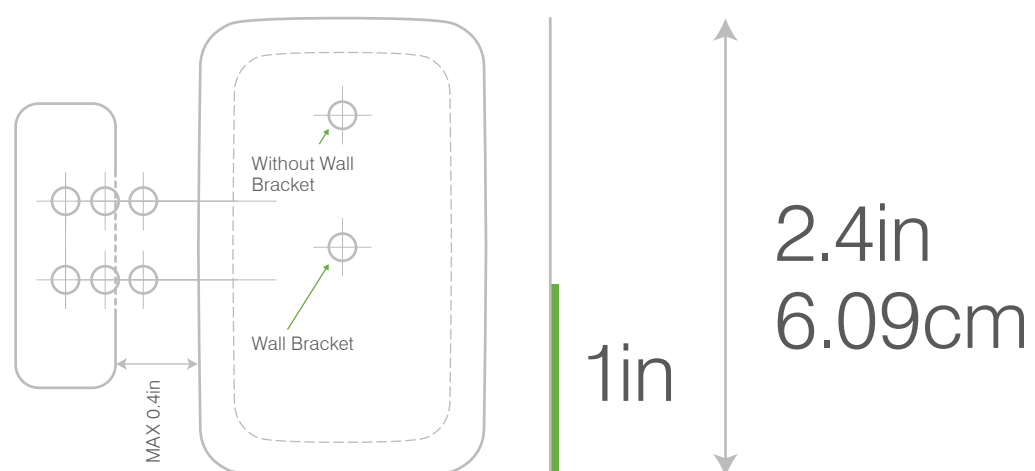


# You can Mount the SmartSense Open/Closed using the Optional Wall Bracket:

- 1 Affix wall bracket into desired surface then slide sensor onto wall plate mounting cleat.
- 2 Slide sensor down to engage snap lock.



# Template for Wall Mounting:



Print without document scaling.