

Product Data Sheet

3-Series Smart Switch

3130

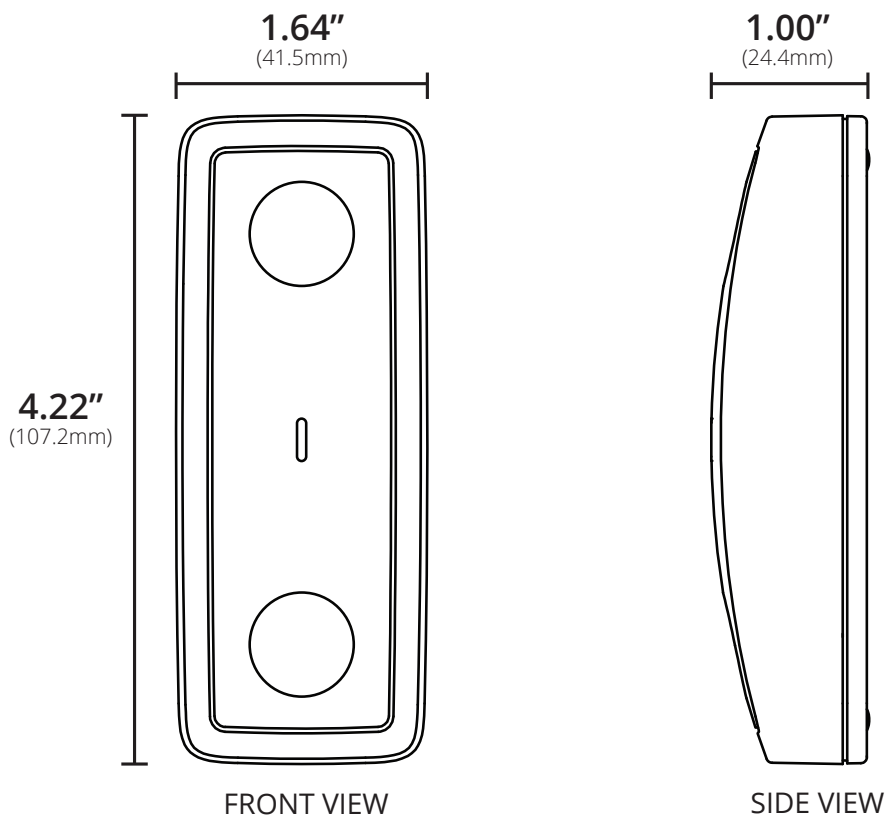
Centralite®

Last Updated: April 2016

Product Overview

The 3-Series Smart Switch gives you a new level of control for your ZigBee lighting and home automation devices. The Smart Switch installs over existing light switches to provide wireless control of ZigBee-compatible smart bulbs and devices without the need for any wiring. Powered by a coin cell battery, the Smart Switch can be installed in minutes to lockout the existing switch (leaving it in an “always-on” position) and features two programmable buttons that can be used to control on/off or dimming of lights, scenes, or any ZigBee device. The Smart Switch can be installed on nearly any surface, including existing switch plates, bare walls, cabinets, and desktops.

Dimensions



In the Box:

1x - 3-Series Smart Switch
2x - Mounting Brackets (Toggle, Rocker)
2x - Mounting Screws

1x - CR2032 Battery
1x - Quick Start Guide

Key Features:

- Easy-to-install mounting plate. No wiring!
- Add a light switch anywhere.
- Easy joining process.
- Over-the-air firmware updates.
- Easy compatibility with other manufacturers' ZigBee HA 1.2 devices.

Use Cases

- Take control of Smart Bulbs.
- Add new light switch.

Take control of Smart Bulbs.

The 3-Series Smart Switch can be paired with LED smart bulbs giving users direct control at the switch. It also serves as a lockout for the existing wall switch, preventing inadvertent power disconnection to the smart bulb.

Add a new light switch.

Have a light switch in an awkward place? Place the Smart Switch on nearly any surface for new, convenient, and easy-to-use light switch.

- Create a switch for anything.

Create a switch for anything.

The Smart Switch works with more than just light bulbs. It can be used to control a large range of ZigBee devices including garage door openers, door locks, thermostats, and others.

Special Features

Compatible with Many Switch Types

The Smart Switch includes mounting brackets for both toggle- and rocker-style (Decora) in-wall light switches as well as many types of dimmer slides and knobs.

Easy Mounting Options

The 3-Series Smart Switch can be installed using either adhesive strips or mounting screws (both included). The easy-to-install mounting plate attaches using existing light switch screw holes and the switch simply snaps into place on the mount.

ZigBee Home Automation 1.2 Compatibility

The 3-Series Smart Switch is fully ZigBee HA 1.2 certified and is guaranteed to function with all open, ZigBee HA 1.2-certified hubs and devices.

Updatability

The Smart Switch supports over-the-air updates providing for seamless upgrades and feature additions without the need for any user interaction.

Getting Started

Step 1: Open ZigBee Network for Joining

Using your controller or hub's interface, enable the ZigBee network for joining.

Step 2: Pull-to-Pair

Simply pull out the mylar tab from the battery compartment, and the Smart Switch will immediately power up and begin searching for a network to join.

Step 3: Finish Joining at Hub (optional)

Some hubs and controllers require additional steps such as naming or categorizing the device.

Troubleshooting

Step 1: Remove and Replace Battery from Device

Remove switch from mount and remove cover. Slide out battery and replace with a new CR2032 battery. Reassemble and test operation.

Step 2: Factory Reset and Rejoin

Remove switch from mount and remove battery. While holding down the switch's top button, reinsert the battery. When the status LED turns solid red, release the button. Repeat the "Getting Started" steps to rejoin the ZigBee network.

Compatibility

The 3-Series Smart Switch features out-of-the-box compatibility with any ZigBee HA 1.2-certified hub, controller, bridge, or platform.

Technical Specifications

Power

Rated: 3V
Battery: CR2032 (1x)
Battery Life: up to 2 years

Environmental

Operating Temperature: -20° to +70°C

Shipping / Storage

Temperature: -20° to 70°C
Humidity Range: 0 to 90% RH.
(non-condensing)

Approvals:



Wireless RF

Protocol: ZigBee HA 1.2
TX Strength: +8 dBm
RF Channels: 16
Range: 130+ ft. (40+ m) L.O.S.
Temp Accuracy: ±0.4 °C (max), -10 to 85 °C

Support

Centralite offers both Tier-1 and Tier-2 support structures to meet the needs of different customers. For those customers that provide existing, in-house support for systems, Centralite can serve as Tier-2 support specialists. For Centralite retail-branded products, Centralite provides direct Tier-1 support for all products.

Standard Warranty

Centralite offers a standard 12-month limited warranty on the 3-Series Smart Switch.

Additional mandatory warranty period in compliance with local law product is being sold.

Contact Sales

For more information about sales or distribution, please contact:

North America

Sean Bryant, VP Sales & Marketing
877-466-5483
+1 251-607-9119 (Int'l)
seanbryant@Centralite.com

Centralite Systems, Inc.
1000 Cody Road
Mobile, AL 36695

www.Centralite.com

International

Marco Dorjee
International Business Development
Office: +31 (0)20 893 2532
Mobile: +31 (0)62 900 3903
marcodorjee@Centralite.com

Notice: Any content, factual information, or specifications containing errors in this document are solely inadvertent and will be corrected upon discovery. Specifications for unreleased/planned products are subject to change.

This device complies with Part 15 of the FCC Rules and with Industry Canada licence-exempt RSS Standards. Operation is subject to the following two conditions: (1) This device may not cause harmful interference, and (2) This device must accept any interference received, including interference that may cause undesired operation.

Under Industry Canada regulations, this radio transmitter may only operate using an antenna of a type and maximum (or lesser) gain approved for the transmitter by Industry Canada. To reduce potential radio interference to other users, the antenna type and its gain should be so chosen that the equivalent isotropically radiated power (e.i.r.p.) is not more than that necessary for successful communication.

This equipment complies with FCC and IC radiation exposure limits set forth for an uncontrolled environment. This equipment is in direct contact with the body of the user under normal operating conditions. This transmitter must not be co-located or operating in conjunction with any other antenna or transmitter.

Changes or modifications not expressly approved by Centralite Systems, Inc. could void the user's authority to operate the equipment.

Le présent appareil est conforme aux CNR d'Industrie Canada applicables aux appareils radio exempts de licence. L'exploitation est autorisée aux deux conditions suivantes: (1) l'appareil ne doit pas produire de brouillage, et (2) l'utilisateur de l'appareil doit accepter tout brouillage radioélectrique subi, même si le brouillage est susceptible d'en compromettre le fonctionnement.

Conformément à la réglementation d'Industrie Canada, le présent émetteur radio peut fonctionner avec une antenne d'un type et d'un gain maximal (ou inférieur) approuvé pour l'émetteur par Industrie Canada. Dans le but de réduire les risques de brouillage radioélectrique à l'intention des autres utilisateurs, il faut choisir le type d'antenne et son gain de sorte que la puissance isotrope rayonnée équivalente (p.i.r.e.) ne dépasse pas l'intensité nécessaire à l'établissement d'une communication satisfaisante.